

# JUSTSOLAR Halfcut 182mm MONO MODULE

JST-M10-M-72-MH-  
(530-550)W



High conversion efficiency  
High module efficiency to guarantee power output.



0 to +5W positive tolerance  
Detailed information in Electrical Specifications.



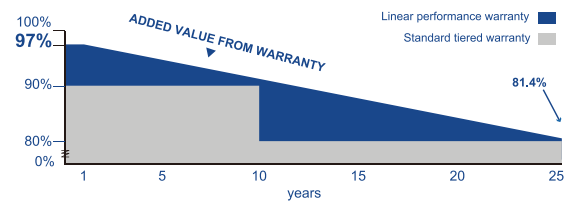
Self-cleaning glass  
Coating glass for self-cleaning, reduce surface dust.



48-hour response service



Outstanding low irradiation performance  
Excellent module efficiency even in the weak light conditions, such as morning or cloudy.



Excellent loading capability  
2400Pa wind loads, 5400Pa snow loads.



25-year performance warranty



10-year warranty on materials and workmanship

IEC 61215 Ed.2  
IEC 61730  
UL 1703



# JUST Solar

## ELECTRICAL DATA

|                                    |        |        |            |        |        |
|------------------------------------|--------|--------|------------|--------|--------|
| Model Type (JST-M10-M-72-MH-***W)  | 530    | 535    | 540        | 545    | 550    |
| Peak Power (Pmax)                  | 530W   | 535W   | 540W       | 545W   | 550W   |
| Module Efficiency                  | 20.7%  | 20.9%  | 21.1%      | 21.3%  | 21.5%  |
| Maximum Power Voltage (Vmp)        | 40.80V | 41.00V | 41.20V     | 41.40V | 41.60V |
| Maximum Power Current (Imp)        | 13.00A | 13.05A | 13.11A     | 13.17A | 13.23A |
| Open Circuit Voltage (Voc)         | 49.00V | 49.20V | 49.40V     | 49.60V | 49.80V |
| Short Circuit Current (Isc)        | 13.76A | 13.81A | 13.87A     | 13.93A | 13.99A |
| Power Tolerance                    |        |        | 0 to +5W   |        |        |
| Maximum System Voltage             |        |        | 1000/1500V |        |        |
| Nominal Operating Cell Temperature |        |        | 41±3°C     |        |        |
| Maximum Series Fuse Rating         |        |        | 15A        |        |        |

## MECHANICAL DATA

|                 |                              |
|-----------------|------------------------------|
| Cell Type       | 182mm, Mono                  |
| Number of Cells | 144(12×6×2)                  |
| Weight          | 29kg                         |
| Dimension       | 2279*1134*35(1.5mm Cell Gap) |
| Max Load        | 5400 Pascals                 |
| Junction Box    | IP68 rated                   |
| Connector       | MC4 Compatible               |
| Wire Type       | PV Wire                      |

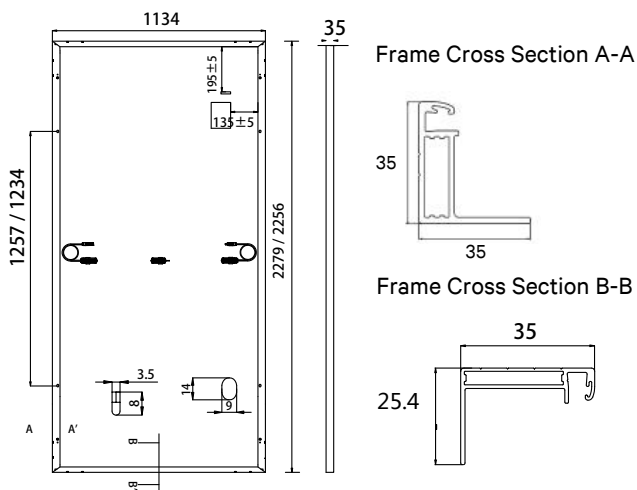
## TEMPERATURE CHARACTERISTICS

|                                |            |
|--------------------------------|------------|
| Temp. Coeff. of Isc (TK Isc)   | 0.05% /°C  |
| Temp. Coeff. of Voc (TK Voc)   | -0.28% /°C |
| Temp. Coeff. of Pmax (TK Pmax) | -0.36% /°C |

## PACKING MANNER

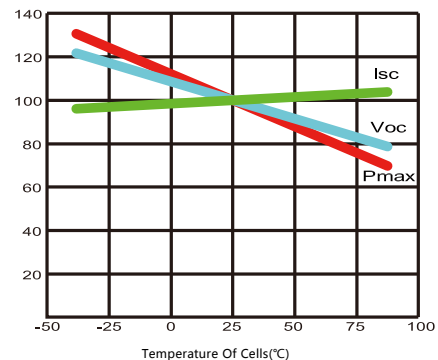
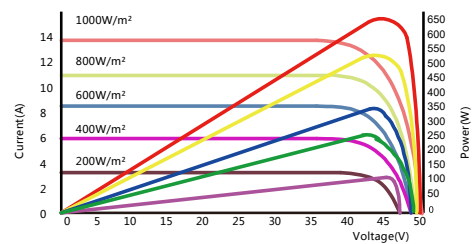
|                      |        |
|----------------------|--------|
| Container            | 40' HQ |
| Pieces per Pallet    | 31     |
| Pieces per Container | 620    |

## PHYSICAL CHARACTERISTICS



## ELECTRICAL CHARACTERISTICS

JST-M10-M-72-MH-530W



Note: the specifications are obtained under the Standard Test Conditions (STCs): 1000W/m<sup>2</sup> solar irradiance, 1.5 Air Mass, and cell temperature of 25°C. The NOCT is obtained under the Test Conditions: 800W/m<sup>2</sup>, 20°C ambient temperature, 1m/s wind speed, AM 1.5 spectrum.

The actual transactions will be subject to the contracts. This parameters is for reference only and it is not a part of the contracts. The specifications are subject to change without prior notice.