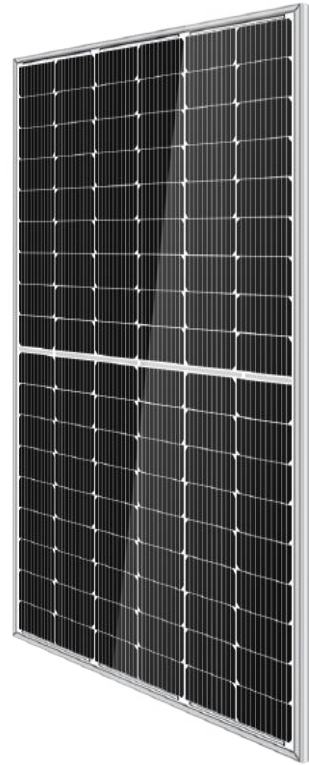


JUSTSOLAR MONO MODULE

JST-M10-M-54-MH-
(390-410)W



High conversion efficiency
High module efficiency to guarantee power output.



0 to +5W positive tolerance
Detailed information in Electrical Specifications.



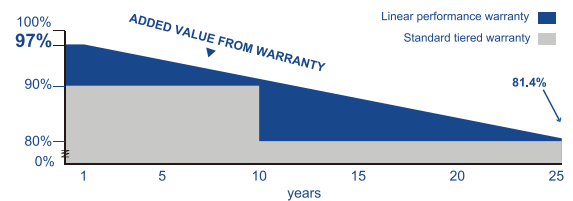
Self-cleaning glass
Coating glass for self-cleaning, reduce surface dust.



48-hour response service



Outstanding low irradiation performance
Excellent module efficiency even in the weak light conditions, such as morning or cloudy.



Excellent loading capability
2400Pa wind loads, 5400Pa snow loads.



25-year performance warranty



10-year warranty on materials and workmanship

IEC 61215 Ed.2
IEC 61730
UL 1703



JUST Solar

ELECTRICAL DATA

Model Type (JST-M10-M-54-MH-***W)	390	395	400	405	410
Peak Power (Pmax)	390W	395W	400W	405W	410W
Module Efficiency	19.95%	20.20%	20.46%	20.72%	20.97%
Maximum Power Voltage (Vmp)	30.42V	30.62V	30.92V	31.12V	31.32V
Maximum Power Current (Imp)	12.82A	12.88A	12.94A	13.00A	13.06A
Open Circuit Voltage (Voc)	36.54V	36.74V	36.94V	37.14V	37.34V
Short Circuit Current (Isc)	13.50A	13.55A	13.60A	13.65A	13.70A
Power Tolerance			0 to +5W		
Maximum System Voltage Nominal			1500V		
Operating Cell Temperature Maximum			41±3°C		
Series Fuse Rating			25A		

MECHANICAL DATA

Cell Type	182mm, Mono
Number of Cells	108(9×6×2)
Weight	21.5kg
Dimension	1724×1134×30mm
Max Load	5400 Pascals
Junction Box	IP68 rated
Connector	MC4 Compatible
Wire Type	PV Wire

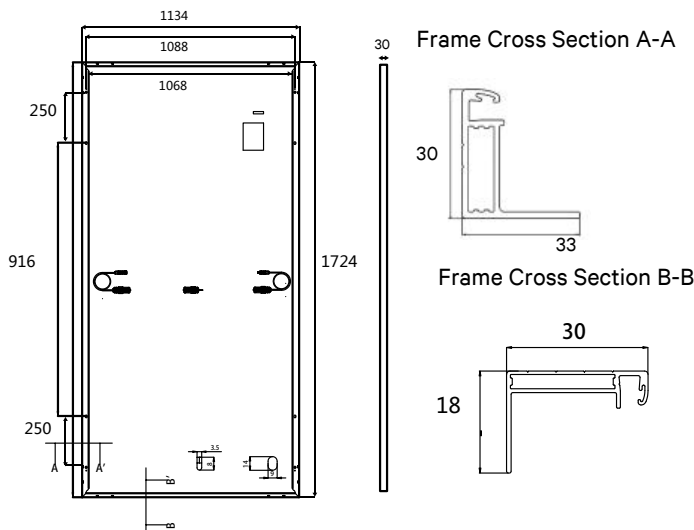
TEMPERATURE CHARACTERISTICS

Temp. Coeff. of Isc (TK Isc)	+0.05% /°C
Temp. Coeff. of Voc (TK Voc)	-0.28% /°C
Temp. Coeff. of Pmax (TK Pmax)	-0.36% /°C

PACKING MANNER

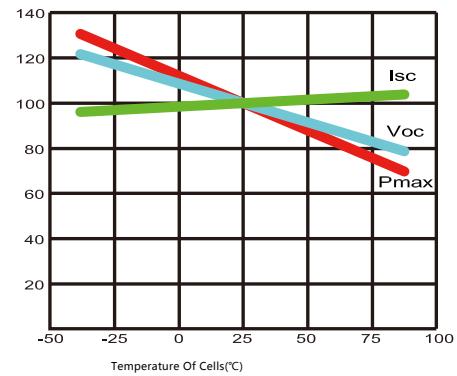
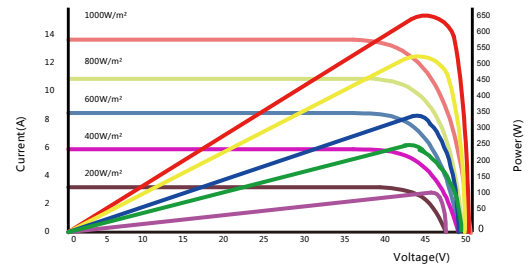
Container	40' HQ
Pieces per Pallet	36
Pieces per Container	936

PHYSICAL CHARACTERISTICS



ELECTRICAL CHARACTERISTICS

JST-M10-M-54-MH-390W



Note: the specifications are obtained under the Standard Test Conditions (STCs): 1000W/m² solar irradiance, 1.5 Air Mass, and cell temperature of 25°C. The NOCT is obtained under the Test Conditions: 800W/m², 20°C ambient temperature, 1m/s wind speed, AM 1.5 spectrum.

The actual transactions will be subject to the contracts. This parameters isfor reference only and it is not a part of the contracts. The specifications are subject to change without prior notice.